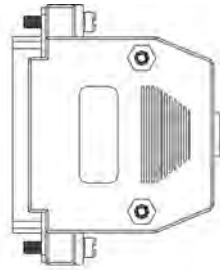


■ I/O Signal Connector (CN1)

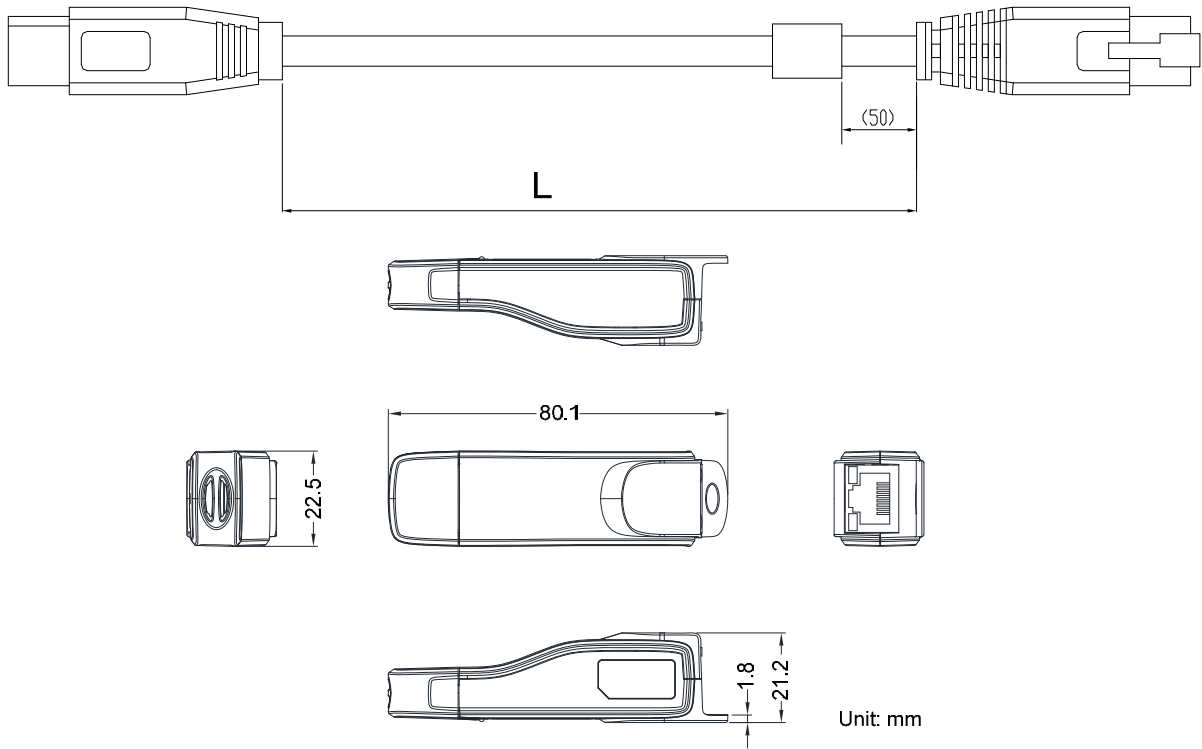
Delta Part Number: ASDBCNDS0044



D-SUB 44 PIN PLUG

■ Communication Cable between Servo Drive and Computer (for PC)

Delta Part Number: ASD-CNUS0A08



| Title     | Part No. : ASD-CNUS0A08 |                   |
|-----------|-------------------------|-------------------|
| cable     | L                       | 3000 ± 100 mm     |
|           |                         | 118 ± 4 inch      |
| connector | RJ connector            | RJ-45             |
|           | USB connector           | A-type (USB V2.0) |